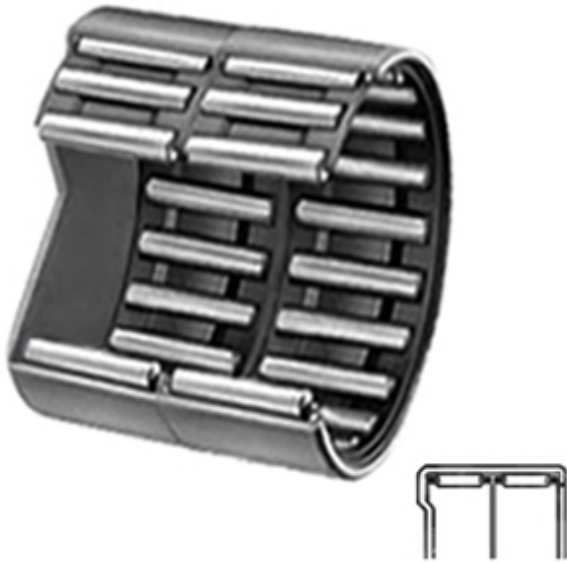




# MACHINE PRECISION AXLE CORP.



0.63 Inch | 16 Millimeter x 0.866 Inch | 22  
 Millimeter x 0.866 Inch | 22 Millimeter  
**CONSOLIDATED BEARING BK-1622 Needle  
 Non Thrust Roller Bearings**

Bearing No. BK-1622

BK-1622 Bearing 2D drawings and 3D CAD models

Category	Needle Non Thrust Roller Bearings
Inventory	0.0
Manufacturer Name	CONSOLIDATED BEARING
Minimum Buy Quantity	N/A
Weight	0.028
EAN	0644075003902
Product Group	B04144
Rolling Element	Needle Roller Bearing
Component	Roller Assembly with Outer Ring - No Inner Ring
Enclosure	Open
Self Aligning	No
Retainer	Yes
Number of Rows of Rollers	Double Row
Separable	No
Closed End	Yes
Inch - Metric	Metric
Relubricatable	Yes
Thrust Bearing	No
Long Description	16MM Bore; 22MM Outside Diameter; 22MM Width; Needle Roller Bearing; Roller Assembly with Outer Ring - No Inner



## MACHINE PRECISION AXLE CORP.

	Ring; Open Enclosure; No Self Aligning; Retainer; Double Row of Rollers; No Separable; C
Other Features	1 Rib Outer Ring   Drawn Cup Bearing   Oil Hole
Category	Needle Non Thrust Roller Bearing
UNSPSC	31171512
Harmonized Tariff Code	8482.40.00.00
Noun	Bearing
Keyword String	Needle
Manufacturer URL	<a href="http://www.consbrgs.com">http://www.consbrgs.com</a>
Manufacturer Item Number	BK-1622
Weight / LBS	0.07
B	0.866 Inch   22 Millimeter
d	0.63 Inch   16 Millimeter
D	0.866 Inch   22 Millimeter